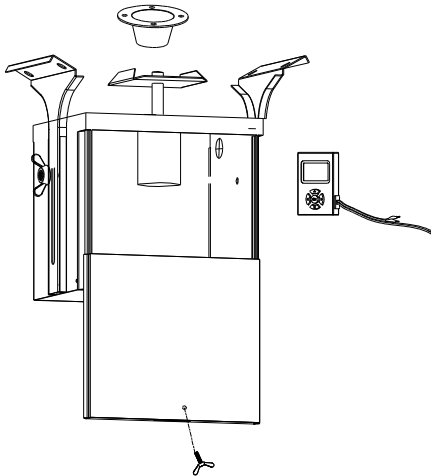




GAME WINNER™

6V Digital Control Unit Replacement Instructions

Model # : FSGWSF1028 (HU2161402-GW)



Please keep this instruction manual for future reference

**Customer Service: (888) 837-1380, 8:00am to 5:00pm, Pacific Standard Time,
Monday thru Friday**

----- OR -----

Customer Service: (888) 922-2336, 7:00am to 12:00am CST daily

Live Chat at: www.academy.com

Email: customerservice@academy.com



(Made in China)



Warnings -----	3
Tools required -----	4
Parts List -----	5
Hardware List -----	5
Product Diagram -----	6
Assembly Instructions -----	7-8
How to install the battery -----	9
How to operate the timer -----	10
Testing the feeder -----	11
Warranty -----	12-13



NOTE: Before beginning assembly of product, make sure all parts are present. Compare parts with package content list and hardware contents. If any part is missing or damaged do not attempt to assemble the unit. Contact customer service for replacement parts.

Warnings

PAY ATTENTION to these statements when reading this manual and the information contained can save your life.

 **DANGER**  : Indicates an imminently hazardous situation which, if not avoided, will result in death or serious injury.

 **WARNING**  : Be alert to the possibility of serious bodily injury if the instructions are not followed. Be sure to read and carefully follow all of the messages.

 **CAUTION**  : Indicates a potentially hazardous situation which, if not avoided, may result in minor or moderate injury.

READ AND FOLLOW ALL SAFETY STATEMENTS, WARNINGS, ASSEMBLY INSTRUCTIONS AND USE & CARE DIRECTIONS BEFORE ATTEMPTING TO ASSEMBLE. KEEP THIS MANUAL FOR FUTURE REFERENCE.

REFER TO THE IMAGES IN THIS MANUAL FOR VISUALIZATION OF THE ASSEMBLY PROCESS IN ADDITION TO READING THE INSTRUCTIONS.


SOME PARTS CONTAIN SHARP EDGES. SHARP POINTS OR EDGES CAN SCRATCH, POKE, OR PUNCTURE. WEAR APPROPRIATE CLOTHING AND SAFETY GLOVES DURING ASSEMBLY.

THE 6V RECHARGEABLE BATTERY (NOT INCLUDED) SHOULD HAVE A COMPLETE CHARGE PRIOR TO THE FIRST TIME OF OPERATION. THIS REQUIRES A MINIMUM OF AT LEAST SIX (6) HOURS OF CHARGING.

THE PROPER SPACING BETWEEN THE SPIN PLATE AND THE FUNNEL IS 3/8 INCH. THIS IS VERY IMPORTANT FOR SERVICE FREE OPERATION.

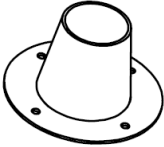
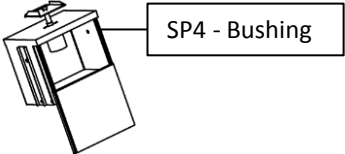

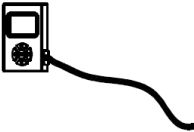





TO TEST YOUR FEEDER FOLLOW THE INSTRUCTIONS IN THE TIMER MANUAL. DO NOT TEST FEEDER WHEN IT CONTAINS FEED. TEST FEEDER WHEN EMPTY ONLY! TESTING THE FEEDER WHILE IT CONTAINS FEED WILL CAUSE FEED TO BE DISCHARGED AT A HIGH VELOCITY AND COULD RESULT IN BODY INJURY. FAILURE TO FOLLOW THESE INSTRUCTIONS MAY RESULT IN SERIOUS INJURY OR DEATH!

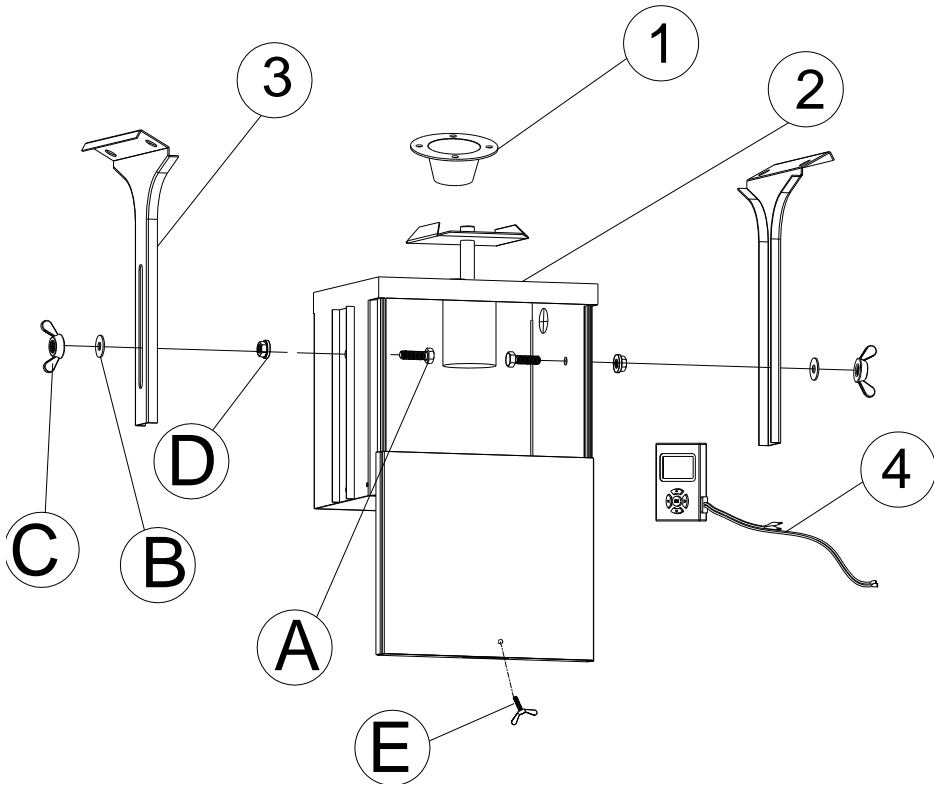
Tools Required

1	Adjustable Wrench	
---	-------------------	---

Parts List - Timer Kit Set – Component and Hardware

!! Components and Hardware are packed INSIDE the Timer Kit Set package!!

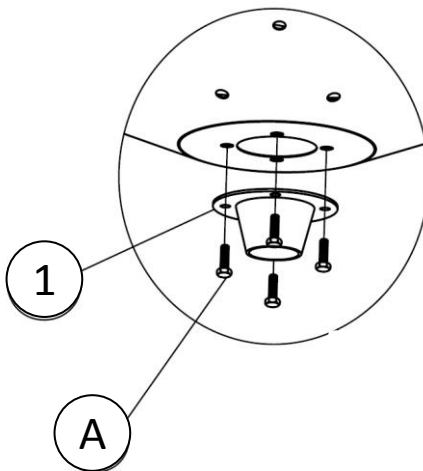
1	Funnel		1pc
2	Timer Kit		1pc
3	Mounting Bracket		2pcs
4	Digital Timer		1pc
A	Hex. Bolt (M6x20)		10pcs
B	Flat Washer (dia. 6mm/18)		2pcs
C	Butterfly Nut (M6)		2pcs
D	Flange Nut (M6)		2pcs
E	Wing Bolt		1PC



Assembly Instructions (Funnel and Timer Kit)

Step 1:

Attach Funnel (#1) to the bottom of hopper using bolts (A, M6x20, packed inside the Timer Kit unit).

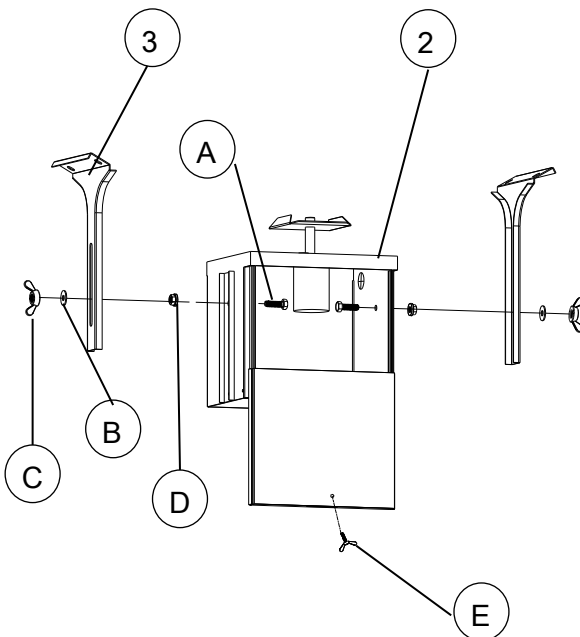


Hardware :

#A – 4pcs

Step 2:

Attach Mounting bracket (#3) to the Timer Kit (#2) using bolts (A, M6x20), flange nut (D, M6), washer (B, 6mm) and butterfly nuts (C, M6).



Hardware :

#A – 2pcs #B – 2pcs

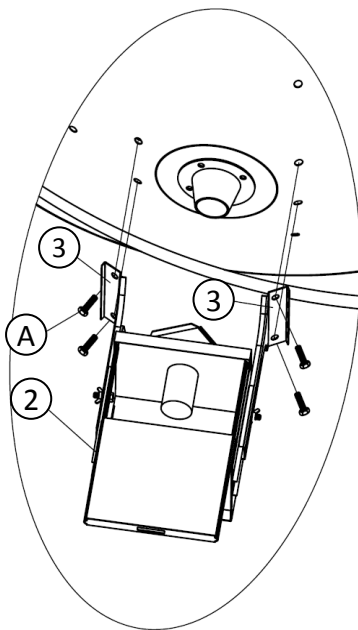
#C – 2pcs #D – 2pcs

#E – 1pc

Assembly Instructions (Funnel and Timer Kit)

Step 3:

Attach the Mounting brackets (#3) to the bottom of hopper using bolts (A, M6x20).

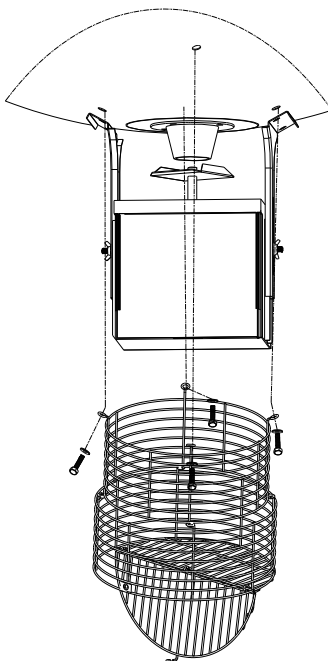


Hardware :

#A – 4pcs

Step 4:

If the feeder is equipped with a varmint guard, attached it back to the bottom of Deer Feeder.



! CAUTION !



REMOVE TIMER KIT COVER AND INSTALL A 6V RECHARGEABLE BATTERY (NOT INCLUDED) BY ATTACHING RED ALLIGATOR CLIP TO THE POSITIVE TERMINAL (+) AND BLACK ALLIGATOR CLIP TO THE NEGATIVE (-) TERMINAL.

! WARNING !

THE 6V RECHARGEABLE BATTERY (NOT INCLUDED) SHOULD HAVE A COMPLETE CHARGE PRIOR TO FIRST TIME OPERATION. REFER TO USER INSTRUCTION OF THE BATTERY. CONNECTING THE BATTERY IN ANY OTHER WAY WILL PERMANENTLY DAMAGE YOUR UNIT. TAKE EXTREME CARE TO MAKE THIS CONNECTION PROPERLY. FAILURE TO FOLLOW THESE INSTRUCTIONS MAY RESULT IN SERIOUS INJURY OR DEATH.

! CAUTION !

HOW TO OPERATE THE TIMER

READ THE OPERATION MANUAL INCLUDED IN THE TIMER KIT UNIT.

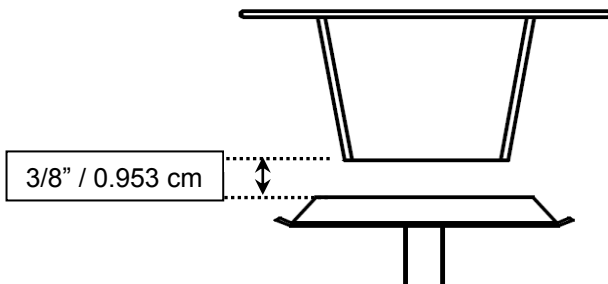
! ATTENTION !

IF USING THE GAME WINNER TIMER AS A REPLACEMENT TIMER, IT WILL WORK WITH EITHER 6 OR 12 VOLT MOTORS.

***** GAME WINNER MOTORS ARE 6 VOLT. *****

! ATTENTION !

THE PROPER SPACING BETWEEN THE SPIN PLATE AND THE FUNNEL IS 3/8 INCH (0.953 cm). THIS IS VERY IMPORTANT FOR SERVICE- FREE OPERATION.





THE 6V RECHARGEABLE BATTERY (NOT INCLUDED) SHOULD HAVE A COMPLETE CHARGE PRIOR TO FIRST TIME OPERATION. REFER TO USER INSTRUCTION OF THE BATTERY.

TO TEST YOUR FEEDER FOLLOW THE INSTRUCTIONS IN THE TIMER MANUAL. DO NOT TEST FEEDER WHEN IT CONTAINS FEED. TEST FEEDER WHEN EMPTY ONLY! TESTING THE FEEDER WHILE IT CONTAINS FEED WILL CAUSE FEED TO BE DISCHARGED AT A HIGH VELOCITY AND COULD RESULT IN BODY INJURY. FAILURE TO FOLLOW THESE INSTRUCTIONS MAY RESULT IN SERIOUS INJURY OR DEATH!

OPERATION IS SUBJECT TO THE FOLLOWING TWO CONDITIONS:

- THIS DEVICE MAY NOT CAUSE HARMFUL INTERFERENCE.**
- THE DEVICE MUST ACCEPT ANY INTERFERENCE RECEIVED, INCLUDING INTERFERENCE THAT MAY CAUSE UNDESIRED OPERATION.**

DO NOT USE THIS UNIT AROUND POWER GENERATING EQUIPMENT (TRANSFORMERS, GENERATORS, SUBSTATIONS, ETC) AND/OR POWER TRANSMISSION EQUIPMENT (POWER LINES). FAILURE TO FOLLOW THESE INSTRUCTIONS MAY RESULT IN SERIOUS INJURY OR DEATH.

Warranty Information

1. Manufacturer warrants this Product to be free from defects in workmanship and materials for a period of 90 days from the date of purchase, PROVIDED claims are submitted, in writing, with proof of purchase.
2. If any part of this item fails because of a manufacturing defect within the Limited Warranty Period, Manufacturer offers to replace such part(s) provide that such parts have not been improperly repaired, altered, or tampered with or subject to misuse, abuse or exposed to corrosive conditions. This Limited Warranty is, however, subject to certain limitations, exclusions, time limits and exceptions (Hereinafter "Conditions") as listed below. Read these Conditions carefully.
3. This Limited Warranty shall be limited to the replacement or repair of any part(s) which Manufacturer determines, after reasonable examination, to have been defective at the time of manufacturing and manufacturer's obligation(s) shall be limited to replacement, if any, of defective part(s) which shall be shipped at Original Purchaser's expense to Original Purchaser's designated shipping address.
4. This Limited Warranty is given to and covers the **ORIGINAL PURCHASER ONLY** and such coverage terminates 90 days from the date of purchase.
5. **DAMAGE LIMITATION WARNING:** IN NO EVENT SHALL MANUFACTURER BE LIABLE FOR ANY INCIDENTAL OR CONSEQUENTIAL DAMAGES, INCLUDING (BUT NOT LIMITED TO) LOSS OF USE OF THE PRODUCT, LOSS OF TIME, INCONVENIENCE, EXPENSES FOR TRAVEL, TRANSPORTATION, LODGING EXPENSES, LOSS OF FOOD, LOSS BY DAMAGE TO PERSONAL PROPERTY OR LOSS OF INCOME, PROFITS OR REVENUE.
6. **MANUFACTURER'S OBLIGATION:** Manufacturer's liability shall be limited to the delivery of a good, merchantable Product and, if necessary, the repair or replacement, at manufacturer's option, of any defective part or unit.
7. **TRANSFER LIMITATIONS:** This Limited Warranty is not assignable or transferable. It covers only the original purchaser.
8. **RESERVED RIGHT TO CHANGE:** Manufacturer reserves the right to make changes or improvements to products it produces in the future without imposing on itself any obligations to install the same improvements in the products it has previously manufactured.
9. This Limited Warranty gives the Original Purchaser specific legal rights but there may be other rights which vary by jurisdiction.
10. **This warranty does not cover the following items:**
 - Chips or scratches on porcelain or painted surfaces
 - Rust or corrosion is not deemed a manufacturing or materials defect
 - Discoloration or loss of paint due to handling during assembly, heat or cleaning products. Paint may require touch up.
 - Stainless steel discoloration or corrosion
 - Consumables such as batteries
 - Damages caused by wild game

IF CUSTOMER SERVICE IS NECESSARY:

The Original Purchaser is responsible for shipping and handling charges of the returned item(s) and replacement parts, if any.

All parts to be replaced will need to be shipped before replacement items will be sent.

Follow the Customer Service Representative's instructions exactly. If a return is necessary, it must be packed carefully and shipped prepaid.

Should you encounter any problem

or

Obtaining replacement parts

CALL US FIRST.

Do not return product to the store.

WE CAN HELP.

Rankam (China) Manufacturing Co. Ltd.
18/F., New Lee Wah Centre, 88 Tokwawan Road,
Kowloon, Hong Kong

Please contact Rankam Customer Service at customerservice@rankam.com
or at 1-888-837-1380, Mon to Fri, 8:00 a.m. – 5:00 p.m. Pacific Standard Time.